



## MIRA

41052

Perfect for relaxing with the family, the Mira collection has a commanding visual presence that is achieved through the curved divided back cushion that extends over the armrest entirely, creating substantial visual scale.



# MIRA

41052

**Note:** Icon images are for illustrative purposes only and may not be an exact representation of the product. Please refer to the product photography for the most accurate representation.

**Left-hand Facing (LHF):** Refers to the arm or bumper being on the left side of the piece when you are facing it.

**Right-hand Facing (RHF):** Refers to the arm or bumper being on the right side of the piece when you are facing it.

**Inside Arm (IA):** Refers to the distance between the arms.

## STANDALONE PIECES



**31 Wallhugger Recliner Pwr**

42 x 39 x 39"  
107 x 100 x 100 cm  
IA: 23" / 59 cm



**32 Rocker Recliner Chair**

42 x 39 x 39"  
107 x 100 x 100 cm  
IA: 23" / 59 cm



**33 Swivel Rocker Recliner Chair**

42 x 39 x 40"  
107 x 100 x 102 cm  
IA: 23" / 59 cm



**39 Power Rocker Recliner**

42 x 39 x 39"  
107 x 100 x 100 cm  
IA: 23" / 59 cm



**51 Sofa Recliner**

90 x 39 x 39"  
229 x 100 x 100 cm  
IA: 73" / 186 cm



**58 Loveseat Console**

81 x 39 x 39"  
206 x 100 x 100 cm



**61 Power Sofa Recliner**

90 x 39 x 39"  
229 x 100 x 100 cm  
IA: 73" / 186 cm



**68 Loveseat Console Pwr**

81 x 39 x 39"  
206 x 100 x 100 cm

\*Select pieces from this collection are available in pattern-matched accent covers. Pattern matching ensures the pattern is consistent throughout the piece and matches at seams, and over arms and backs, creating a continuous pattern. Dimensions shown as Width x Depth x Height. Dimensions are correct at the time of printing and are subject to change without notice. Actual measurements for each item may vary. Please allow up to a +/- 1 inch or 3 centimeter difference.



# MIRA

41052

**Note:** Icon images are for illustrative purposes only and may not be an exact representation of the product. Please refer to the product photography for the most accurate representation.

**Left-hand Facing (LHF):** Refers to the arm or bumper being on the left side of the piece when you are facing it.

**Right-hand Facing (RHF):** Refers to the arm or bumper being on the right side of the piece when you are facing it.

**Inside Arm (IA):** Refers to the distance between the arms.

## SECTIONAL PIECES



**09 Corner Curve**

47 x 47 x 39"  
120 x 120 x 100 cm



**10 Armless Chair**

24 x 39 x 39"  
61 x 100 x 100 cm



**30 Armless Recliner**

24 x 39 x 39"  
61 x 100 x 100 cm



**46 RHF Recliner Chair**

34 x 39 x 39"  
87 x 100 x 100 cm



**47 LHF Recliner Chair**

34 x 39 x 39"  
87 x 100 x 100 cm



**60 Power Armless Recliner**

24 x 39 x 39"  
61 x 100 x 100 cm



**66 RHF Power Recliner**

34 x 39 x 39"  
87 x 100 x 100 cm



**67 LHF Power Recliner**

34 x 39 x 39"  
87 x 100 x 100 cm



**A2 Storage Console**

13 x 39 x 36"  
34 x 100 x 91 cm

\*Select pieces from this collection are available in pattern-matched accent covers. Pattern matching ensures the pattern is consistent throughout the piece and matches at seams, and over arms and backs, creating a continuous pattern. Dimensions shown as Width x Depth x Height. Dimensions are correct at the time of printing and are subject to change without notice. Actual measurements for each item may vary. Please allow up to a +/- 1 inch or 3 centimeter difference.



# MIRA

41052

## POPULAR CONFIGURATIONS



**4-Seat Corner Curve  
Sectional with Three Power  
Recliners**

**67/10/09/60/66**  
105 x 105"  
267 x 267 cm



**5-Seat Corner Curve  
Sectional with Storage  
Console and Two Power  
Recliners**

**67/A2/10/09/10/66**  
118 x 105"  
300 x 267 cm



**5-Seat Corner Curve  
Sectional with Storage  
Console and Three Power  
Recliners**

**67/A2/10/09/60/66**  
118 x 105"  
300 x 267 cm



**4-Seat Corner Curve  
Sectional with Two Manual  
Recliners**

**47/10/09/10/46**  
105 x 105"  
267 x 267 cm

**Note:** Icon images are for illustrative purposes only and may not be an exact representation of the product.

Please refer to the product photography for the most accurate representation.

**Left-hand Facing (LHF):** Refers to the arm or bumper being on the left side of the piece when you are facing it.

**Right-hand Facing (RHF):** Refers to the arm or bumper being on the right side of the piece when you are facing it.

**Inside Arm (IA):** Refers to the distance between the arms.



# MIRA

41052



## STANDARD FUNCTIONS

- Manual recline with outside handle
- Power recline with toggle switch



## FRAME

- All Palliser frames are constructed from engineered wood products, hardwood or softwood; joints are pinned and glued for uniformity and strength.



## CHOOSE YOUR ACCESSORIES

- Antique Brass Cup Holder
- Black LED Cup Holder
- Matte Black Cupholder
- Stainless Steel Cup Holder
- Black Table
- Grommet Only
- Metal Table With Grommet



## CHOOSE YOUR LEG OPTION

- This item comes standard with the leg pictured



## CHOOSE YOUR COVER

- Fabrics, excluding Accent Fabrics
- Leather
- Leather Alternative
- Leather Match



## SEATING

- Full, chaise-style seat cushions with high-resiliency, high density foam core in polyester wrap
- Back Suspension: Sinuous springs to provide premium comfort and support.
- Seat Suspension: Heavy gauge sinuous springs, engineered to provide premium comfort and endurance.
- Back cushions with fibre filling

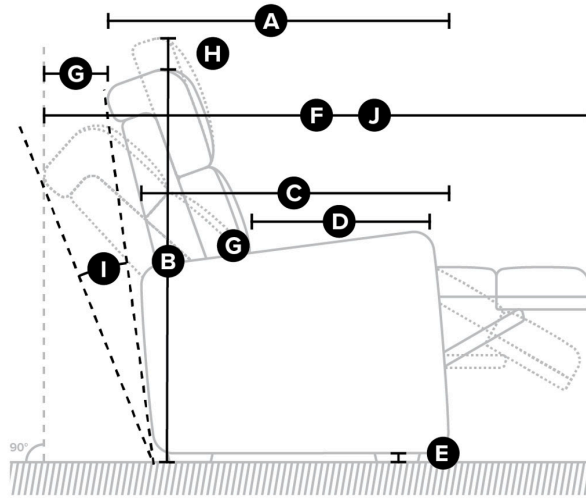


# MIRA

41052



## DIMENSIONS



### Side

All measurements in inches (in).

SKU	Description	A. Depth	B. Height	D. Seat Depth	E. Ground Clearance	F. Full Recline Depth	G. Wall Clearance
41052-09	Corner Curve	47.0	39.0				
41052-10	Armless Chair	39.0	39.0	22.0	1.5		
41052-30	Armless Recliner	39.0	39.0	22.0	1.5	67.1	13.0
41052-31	Power Wallhugger Recliner	39.0	39.0	22.0	1.5	66.3	13.0
41052-32	Rocker Recliner Chair	39.0	39.0	22.0	1.5	66.3	36.1
41052-33	Swivel Rocker Recliner Chair	39.0	40.0	22.0	1.5	66.3	37.0
41052-39	Power Rocker Recliner	39.0	39.0	22.0	1.5	66.3	36.1
41052-46	RHF Recliner Chair	39.0	39.0	22.0	1.5	67.1	13.0
41052-47	LHF Recliner Chair	39.0	39.0	22.0	1.5	67.1	13.0
41052-51	Sofa Recliner	39.0	39.0	22.0	1.5	67.1	13.0
41052-58	Loveseat Console	39.0	39.0	22.0	1.5	67.1	13.0
41052-60	Power Armless Recliner	39.0	39.0	22.0	1.5	67.1	13.0
41052-61	Power Sofa Recliner	39.0	39.0	22.0	1.5	67.1	13.0
41052-66	RHF Power Recliner	39.0	39.0	22.0	1.5	67.1	13.0
41052-67	LHF Power Recliner	39.0	39.0	22.0	1.5	67.1	13.0
41052-68	Loveseat Console Pwr	39.0	39.0	22.0	1.5	67.1	13.0
41052-A2	Storage Console	39.0	35.8				

\*Select pieces from this collection are available in pattern-matched accent covers. Pattern matching ensures the pattern is consistent throughout the piece and matches at seams, and over arms and backs, creating a continuous pattern. Dimensions shown as Width x Depth x Height. Dimensions are correct at the time of printing and are subject to change without notice. Actual measurements for each item may vary. Please allow up to a +/- 1 inch or 3 centimeter difference.

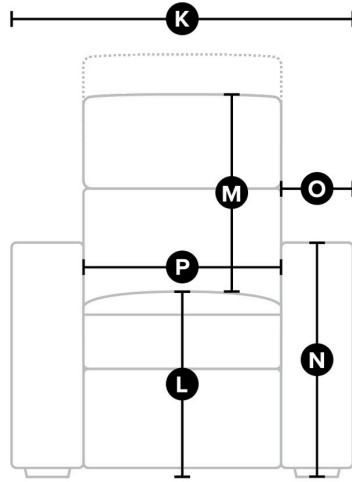


# MIRA

41052



## DIMENSIONS



### Front

All measurements in inches (in).

SKU	Description	K. Width	L. Seat Height From Floor	M. Height Of Back From Seat	N. Arm Height From Floor	P. Width Between Arms
41052-09	Corner Curve	47.0				
41052-10	Armless Chair	24.0	19.5	21.0		
41052-30	Armless Recliner	24.0	19.5	21.0		
41052-31	Power Wallhugger Recliner	42.0	19.5	21.0	26.0	23.0
41052-32	Rocker Recliner Chair	42.0	19.5	21.0	26.0	23.0
41052-33	Swivel Rocker Recliner Chair	42.0	19.5	21.0		23.0
41052-39	Power Rocker Recliner	42.0	19.5	21.0	26.0	23.0
41052-46	RHF Recliner Chair	34.0	19.5	21.0	26.0	
41052-47	LHF Recliner Chair	34.0	19.5	21.0	26.0	
41052-51	Sofa Recliner	90.0	19.5	21.0	26.0	73.0
41052-58	Loveseat Console	81.0	19.5	21.0	26.0	
41052-60	Power Armless Recliner	24.0	19.5	21.0		
41052-61	Power Sofa Recliner	90.0	19.5	21.0	26.0	73.0
41052-66	RHF Power Recliner	34.0	19.5	21.0	26.0	
41052-67	LHF Power Recliner	34.0	19.5	21.0	26.0	
41052-68	Loveseat Console Pwr	81.0	19.5	21.0	26.0	
41052-A2	Storage Console	13.0				

\*Select pieces from this collection are available in pattern-matched accent covers. Pattern matching ensures the pattern is consistent throughout the piece and matches at seams, and over arms and backs, creating a continuous pattern. Dimensions shown as Width x Depth x Height. Dimensions are correct at the time of printing and are subject to change without notice. Actual measurements for each item may vary. Please allow up to a +/- 1 inch or 3 centimeter difference.